

PROJECT AREA

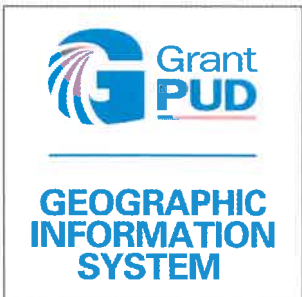


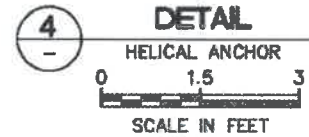
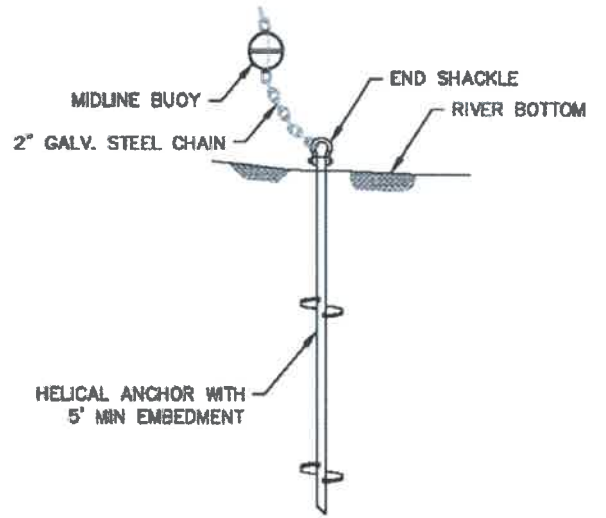
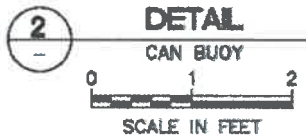
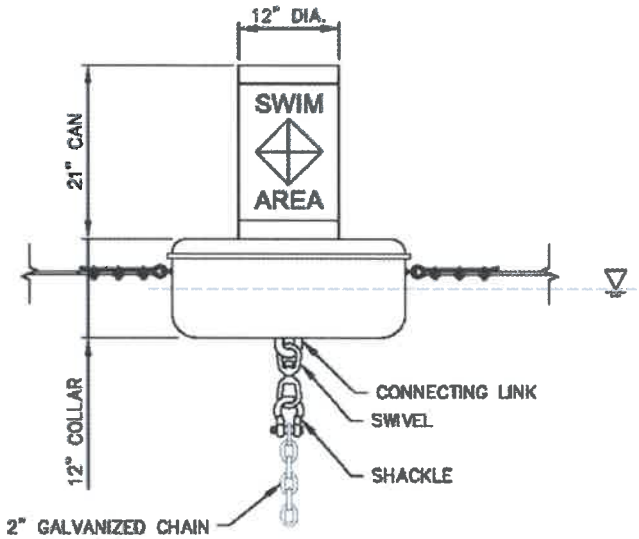
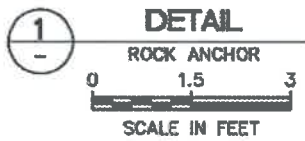
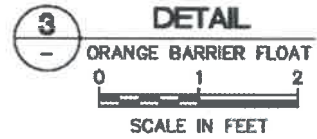
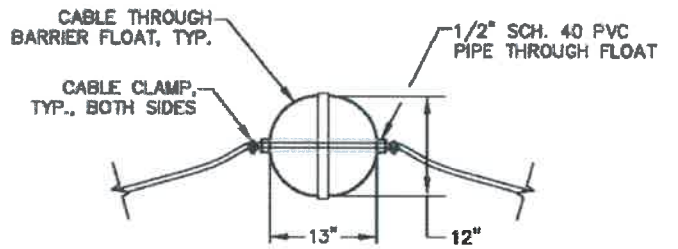
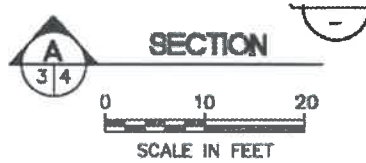
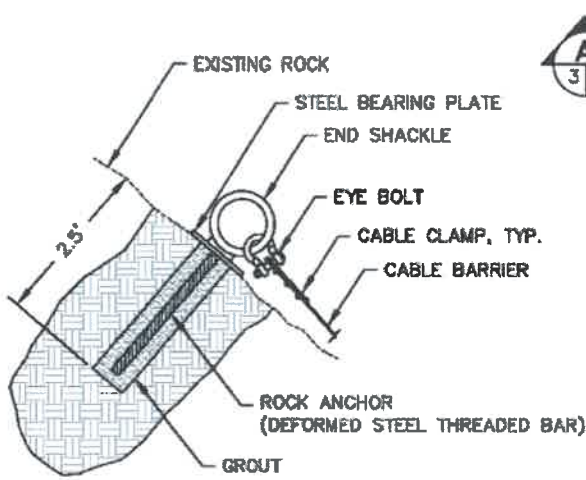
LOCATOR



VANTAGE RECREATION AREA
NORTH JETTY COVE PROJECT

This map/data was created for informational, planning, reference and guidance purposes only. Grant PUD makes no warranty, expressed or implied related to the accuracy or content of these materials. NR GIS - 2022





POOL WATER LEVELS (NAVD88)	
MAXIMUM OPERATING POOL	571.5
MINIMUM OPERATING POOL	560.5